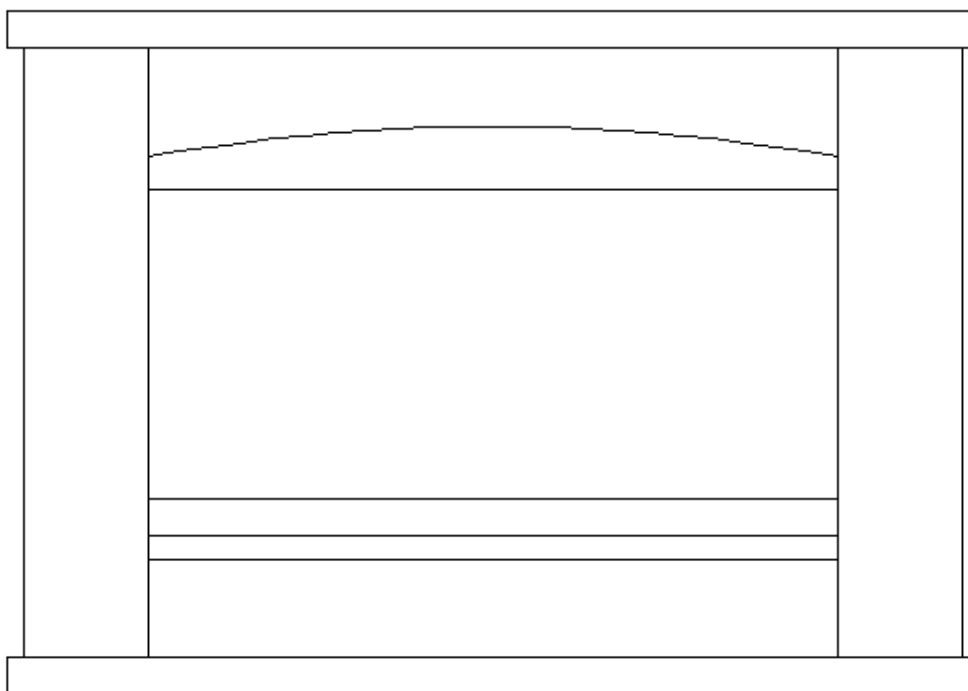


# Installation and Users Instructions

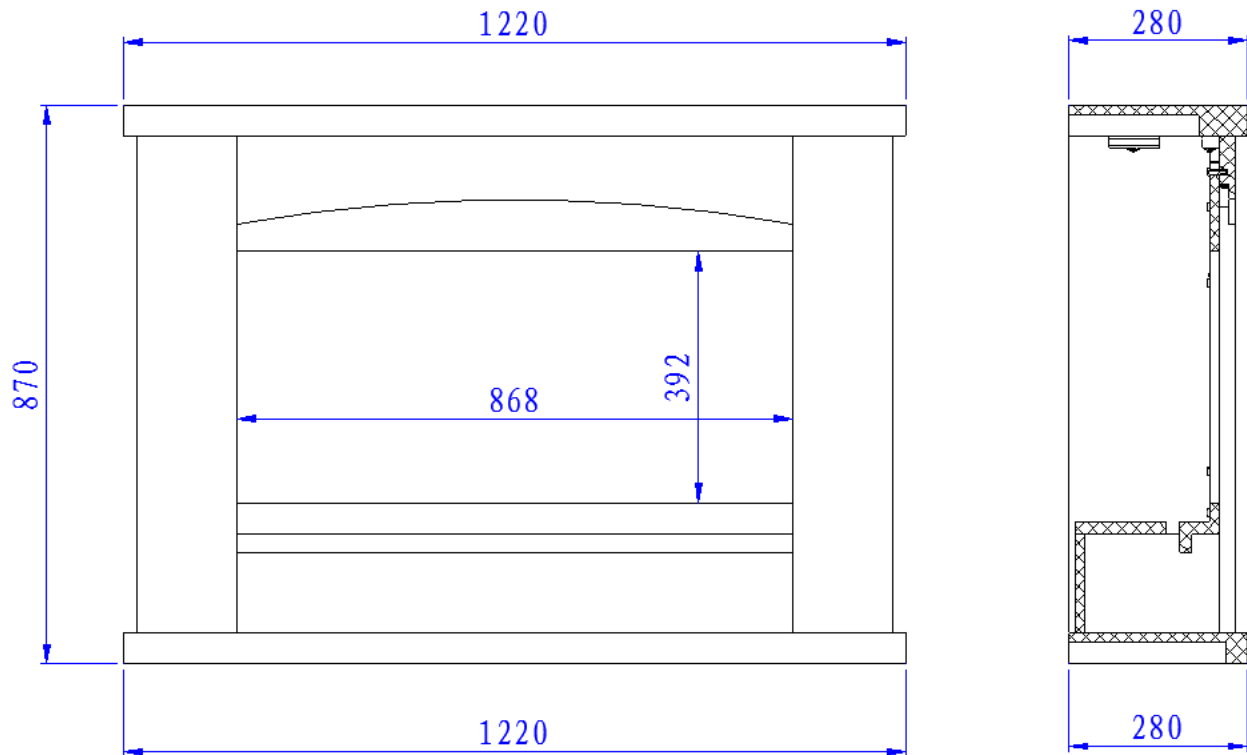


**Model: OHIO**

**PLEASE READ THIS MANUAL BEFORE INSTALLING AND USING APPLIANCE.  
INSTALLER: DO NOT DISCARD THIS MANUAL – LEAVE WITH THE CUSTOMER.  
SAVE THESE INSTRUCTIONS FOR FUTURE REFERENCE.**

# SECTION 1 DIMENSIONS

Dimensions in mm

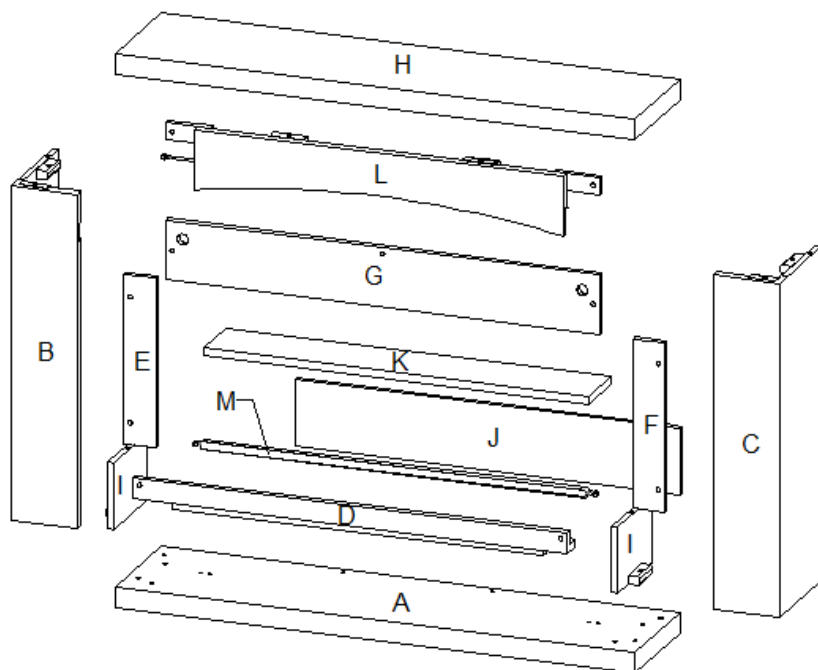






# SECTION 2 ASSEMBLY AND INSTALLATION

## 2.1 Unpack

Open the package carefully and remove all pieces. Carefully inspect each part for any damage before you begin assembly.

Make sure that you have all the parts listed below before assembling.  
Keep the original packaging for future transport and/or storage.

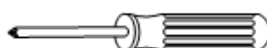


No.	Name	Quantity
A	Base panel	1
B	Left panel	1
C	Right panel	1
D	Front bottom panel	1
E	Second left panel	1
F	Second right panel	1
G	Second top panel	1
H	Top panel	1
I	Left and right support panel	2
J	Fire support panel	1
K	Cover panel	1
L	Front top panel	1
M	LED board assembly	1
N	Wood dowel 	16+2(Spare)
O	Screws M6*25mm 	11+1(Spare)
P	Screws M6*30mm 	12+1(Spare)
Q	Washer 	23+2(Spare)
R	Screws ST4*12	2
S	Extension lead 850mm	1

**NOTE:** left and right of product are distinguished by its front view.

## 2.2 Before installation

Tools required: magnetic Philips screwdriver



## 2.3 Installation

### **NOTE!**

Assembly required by two adults.

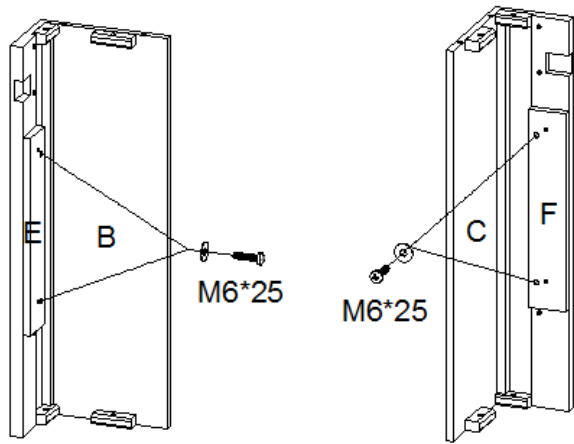
This fireplace suite must be fitted to the wall. Mirror plates are supplied with the electric fire but any other suitable concealed fixing may be used.

Use manual screwdriver only.

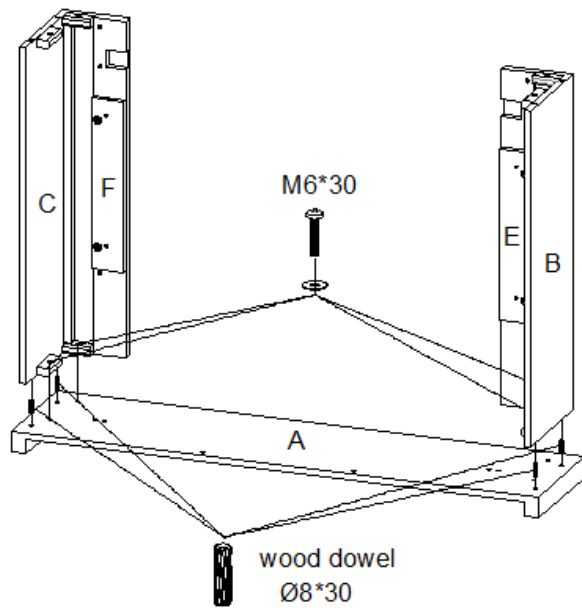
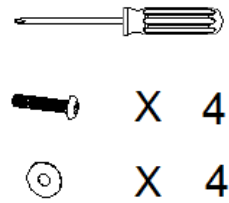
Use washer when fixing with screws. Do not overtighten bolts.

Do not use screws of other types or models, in case that the screws are too long, causing damage to mantles.

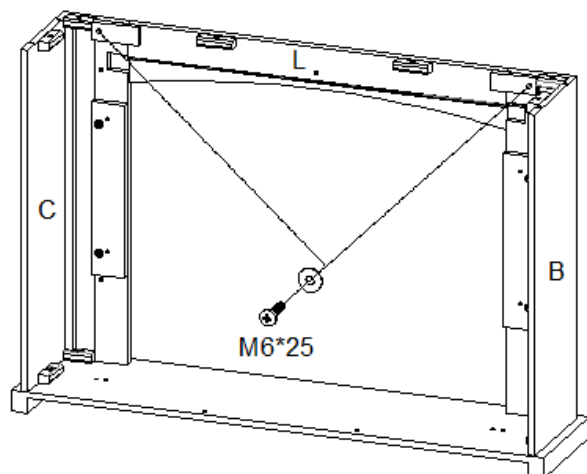
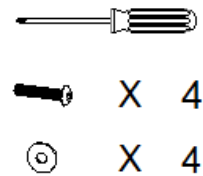
Only fit the fire from the back of the fireplace so as not to scratch the mantle.



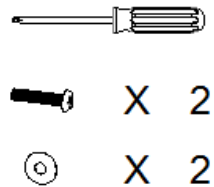
**Step 1.** Fix the second left panel (E) onto the left side panel (B), then repeat for other side by fixing second right panel (F) to right side panel (C).

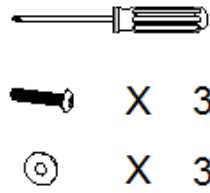
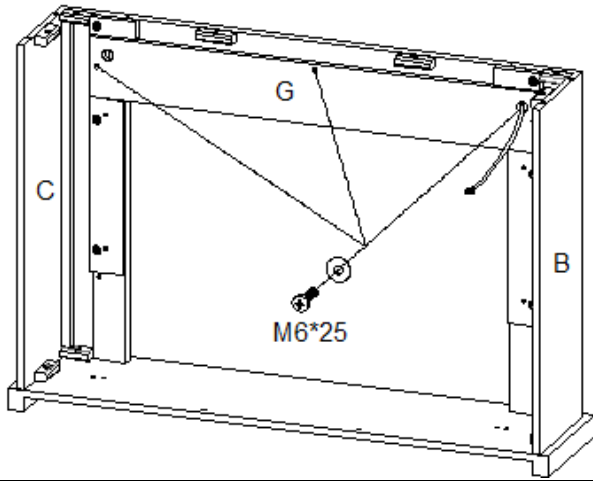


**Step 2.** Fix the side panel B&E, C&F onto the base panel (A).

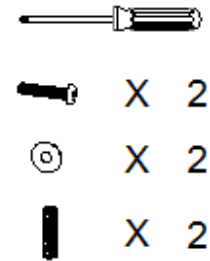
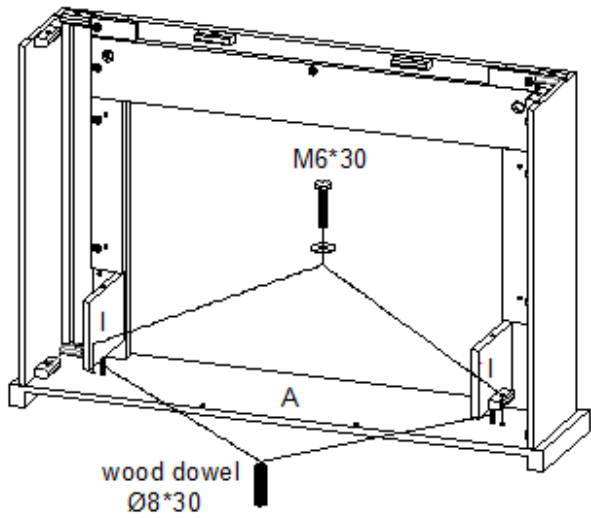


**Step 3.** Fix the front top panel (L).

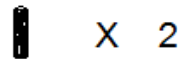
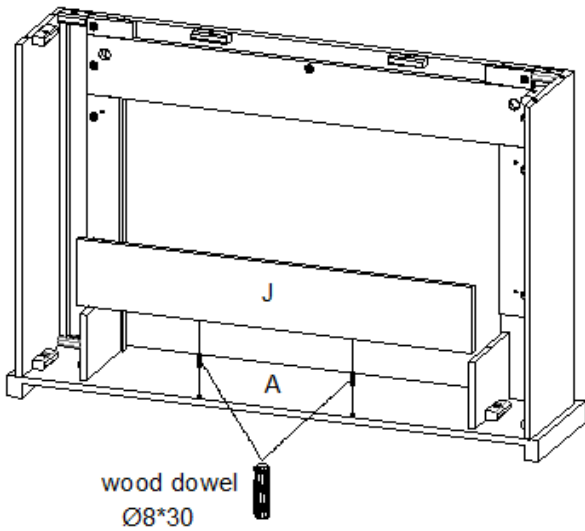




**Step 4.** Pass the socket and wire of the top mood lighting through the hole on the second top panel (G) and fix the second top panel.



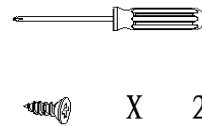
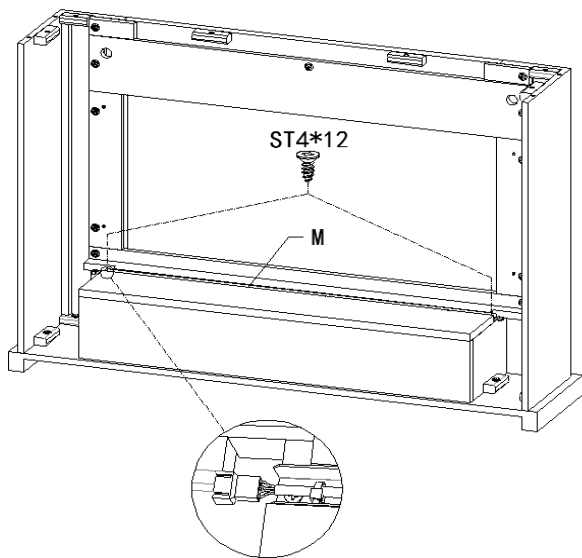
**Step 5.** Fix the left and right support panels (I) onto the base panel (A).



**Step 6.** Fix the fire support panel (J) onto the base panel (A).

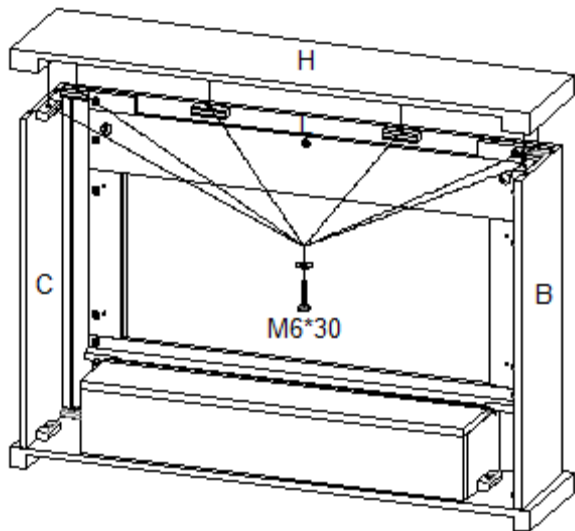
**Step 7.** Fix the front bottom panel (D) onto the left panel (B) and right panel (C).

**Step 8.** Fix the cover panel (K) onto the fire support panel (I&J).

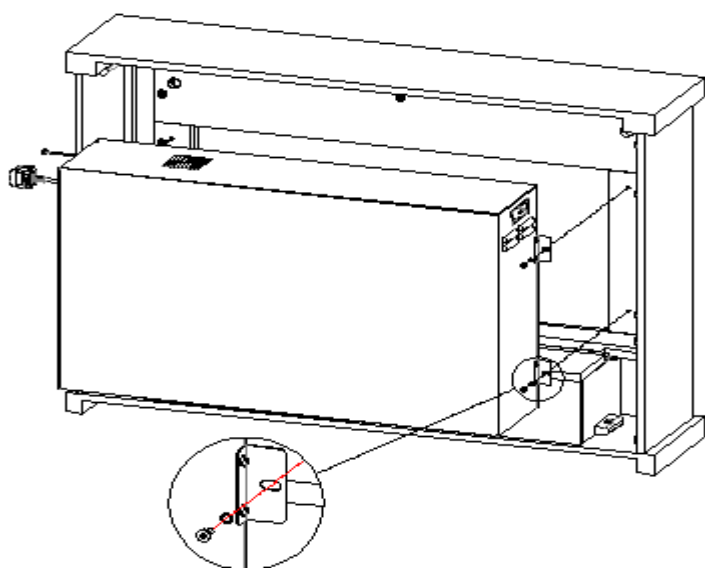
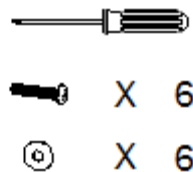


**Step 9.** Fix the LED board assembly (M) onto the fire support panel (I).

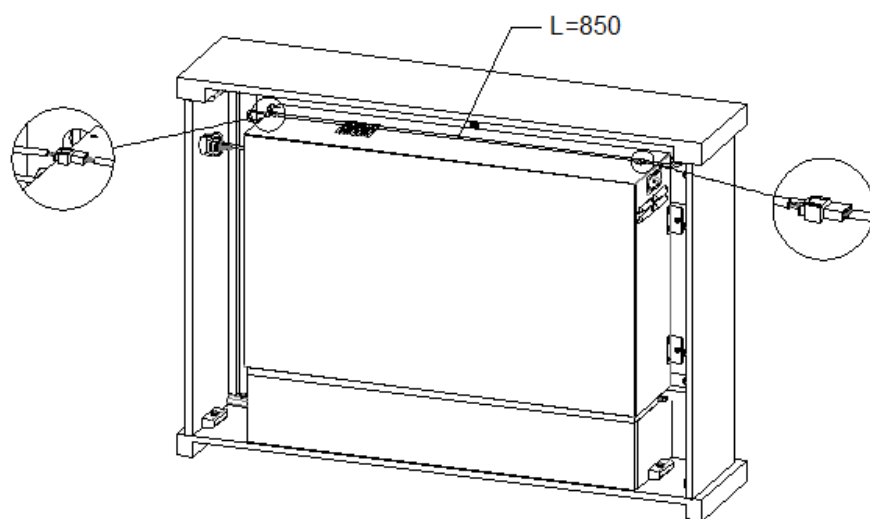
**Note:** The terminal of the extension lead is located on the left side, make sure that you don't locate the LED board wrongly.



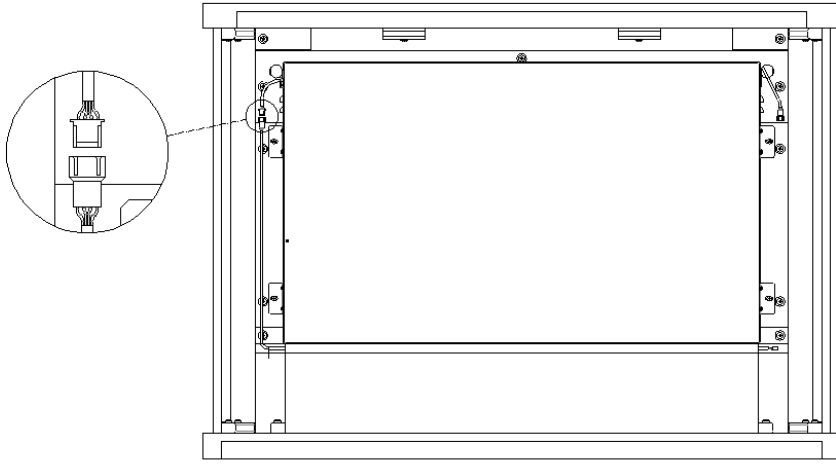
**Step 10.** Fix the top panel (H).



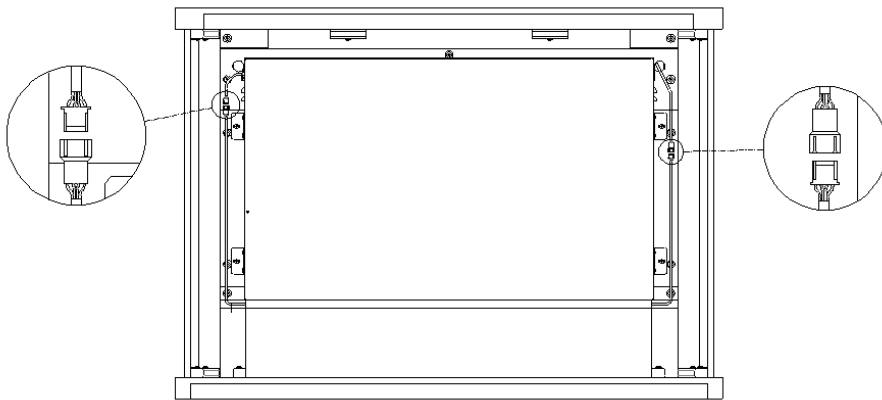
**Step 11.** Install the fire from back of the mantel, and use screws to fix firmly. (Screws are supplied together with the fire).



**Step 12.** If you choose just the upper mood light to function, connect the wires with the extension lead 850mm as shown in the picture.



**Step 13.** If you choose just the lower mood light to function, connect the wires as shown in the picture.



**Step 14.** If you choose both the mood lights to function, connect the wires as shown in the picture.

## SECTION 3 CLEANING & MAINTENANCE

- 1 Your fireplace mantle surface coating will give off a slight smell for a short period of time. Try to ventilate as much as possible during this time.
- 2 Daily cleaning: Clean the mantle surfaces with a soft, lint-free cloth. Do not use cleaning or polishing products and try to avoid heavy or sharp articles which may damage the surface.
- 3 Avoid long-term direct sunlight, and excessive temperatures and humidity to protect the life of your furniture surface.